



At the heart of your home



MULTIFUEL STOVES 2018



At the heart of your home

Welcome to Flavel

At Flavel we know how important it is to create a stylish and relaxing living environment. That's why we've developed this collection of affordable stoves to complement all tastes and lifestyles.

I believe our success stems from a combination of innovative design, investment in technology and the highest quality manufacturing standards.

As a result all Flavel Stoves carry a manufacturer's guarantee to reflect my belief in their quality and durability.

This brochure has been designed to make the purchase of your new Flavel stove as simple as possible. I hope you will find it both informative and inspiring.



BFMEurope
BRITISH FIRE MANUFACTURERS

Today BFM Europe is the fastest growing domestic fire and stove producer in the country with an unequalled reputation for quality and service.



Flavel Arundel Multifuel Stove

Page 5



Flavel Dalton Multifuel Stove

Page 6



Flavel Rochester 5 Multifuel Stove

Page 7



Flavel Rochester 7 Multifuel Stove

Page 8



Flavel No.1 Multifuel Stove

Page 9



Flavel No.2 Multifuel Stove

Page 10



Flavel No.1 Gas Stove

Page 11

Intelligent design for a brighter future

Flavel stoves are amongst the cleanest, most efficient and most easily controllable stoves available today.

Our multifuel stoves have been specifically engineered to be simple in design, easy to use and still produce the lowest levels of carbon monoxide emissions, making them exceptionally clean burning.

Flavel solid fuel stoves have been approved using the most sophisticated research and test systems in the industry and our design success can be merited to 150 years of experience and a dedicated team of research engineers who are amongst the brightest in the industry.

Flavel No. 1 and No. 2 stoves use a single pre-heated airwash system to keep the glass window clean. The design is so cleverly simple that there is no need for the second, and in some cases, third airwash system included by other stove manufacturers to provide a clean burning product.

We also now offer a Direct Vent Kit* which will allow you to draw the correct amount of ventilation directly to the stove without the need for any additional draughty and unsightly airbricks. Please ask your stockist for further details.

Every Flavel stove carries a peace of mind guarantee against material and manufacturing defects subject to the terms and conditions as specified in the guarantee document supplied with the product.

*Can only be used when the stove is installed against an external wall.



A controlled Airwash delivers pre-heated air behind the window for clean glass and perfect smokeless combustion.

The optional Direct Vent Kit emits warm, draught-free air.

You can be confident Flavel Stoves are safe, efficient and conform to UK Building Regulations

Look for these logos throughout the brochure...



All Flavel Multifuel stoves carry independently tested CE Approval to standard BS EN 13240 or BS EN 13229, with many approved by HETAS, the official body recognised by Government to approve solid fuel heating appliances. We always recommend you use an experienced HETAS approved installer to fit your stove.



To learn more about HETAS and find details of HETAS registered installers visit www.hetas.co.uk



Ecodesign Compliant

Ecodesign Compliant

This logo signifies that the product is fully compliant with the Eco design directive Commission Regulation (EU) 2015/1188.w



Remarkably Clean Burning

All Flavel Multifuel Stoves carry independently tested CE Approval to standard BS EN 13240 are so efficient and clean burning they have received DEFRA's recommendation for exemption from the Clean Air Act 1993.

Flavel stoves which carry this symbol can be used in Smoke Control Areas when burning wood, as well as authorised smokeless fuels. They can also be used in smoke free zones in the Republic of Ireland when burning wood or peat briquettes.



Product Testing & Certification

Our stoves are independently tested, approved and verified by the British Standards Institution (BSI).

The BSI is an independent organisation. They are not owned by the government, industry or shareholders, which means that they can be totally objective with regards testing and certification. This gives their assessments more authority than those of an organization that has a vested interest in promoting its members.

They have some of the most experienced and knowledgeable staff in the world and are recognised internationally for their technical expertise, quality services and in-depth knowledge of gas and electrical testing and certification.

The wide-ranging capability of their testing facilities and the broad expertise and knowledge of their testing and certification staff ensures our products are rigorously tested with the utmost integrity.



Flavel 5 Year Guarantee

Flavel multifuel and wood burning stoves carry the peace of mind of a 5 year guarantee against material and manufacturing defects on the stove body. All cast iron parts are guaranteed for 2 years and any consumable components or glass parts of the stove are guaranteed for a period of one year against material and manufacturing defects subject to the terms and conditions as specified in the guarantee document supplied with the product. Flavel Gas stoves carry a 5 year guarantee against manufacturing and material defects including parts and labour, subject to our conditions of guarantee including annual service and annual replacement of the oxypilot assembly.



Flavel Arundel Multifuel Stove

The Flavel Arundel Multifuel Stove has been developed with aesthetics, efficiency and flexibility in mind. This steel bodied stove's robust looks and large viewing window makes it suitable for most room settings. The Flavel Arundel has a heat output of 4.9kW and an efficiency of 101% allowing it to be both cost effective and heat efficient. The Arundel is suitable for use in Smoke Control Areas, as recommended by DEFRA.

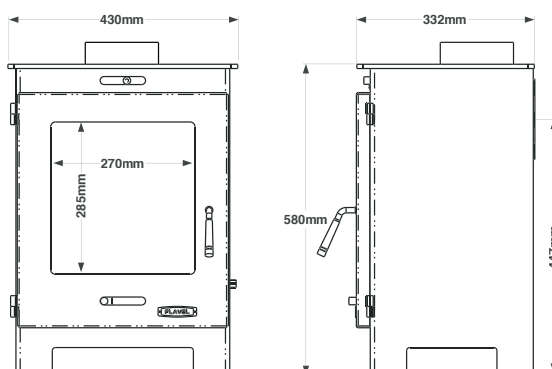
Features

- Simple Primary and Secondary air controls
- Tertiary air supply
- Strong Steel body and door
- Externally controllable riddle system
- Large viewing window
- Radiant heat output
- Certified to BE EN 13240
- Suitable for use in Smoke Control Areas
- Takes log lengths up to 250mm/10"
- 125mm (5") top or rear flue connection
- Weight 70kg

Specifications

Energy Class A
 Useful Energy Efficiency 76.3%
 Fuel Type Multifuel
 Direct Heat Output 4.9kW
 Model Number FCMSB2

Dimensions





Flavel Dalton Multifuel Stove

The Flavel Dalton Multifuel Stove is a compact, intelligent stove with patented cast steel construction. The Dalton boasts an incredibly simple and fast control system as well as easy ash collection for stress-free maintenance. The Flavel Dalton can achieve a heat output of 4.9kW and an efficiency of 104% and is suitable for use in Smoke Control Areas when burning wood, as well as authorised smokeless fuels.

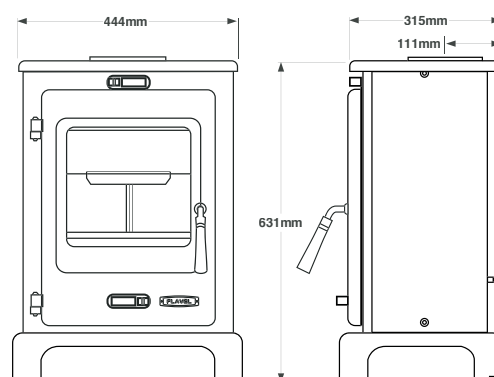
Features

- Patented cast steel construction
- Clean glass Airwash system
- Primary and Secondary air control
- Adjustable legs
- Easy, fast control system
- Simple Ash Collection
- Ultra-Slim depth
- CE approval to BS EN 13240
- Suitable for use in Smoke Control Areas
- Takes log lengths up to 250mm/10"
- 125mm (5") top or rear flue connection
- Weight 68kg

Specifications

Energy Class	A
Useful Energy Efficiency	78.8%
Fuel Type	Multifuel
Direct Heat Output	4.9kW
Model Number	FN1MFD

Dimensions





Flavel Rochester 5 Multifuel Stove

The Flavel Rochester 5 Multifuel stove features a strong steel body combined with a beautiful cast iron door, stove top and base. Its petite proportions and 4.9kW heat output are perfect for small to medium rooms and it's suitable for use in Smoke Control Area's as recommended by DEFRA.

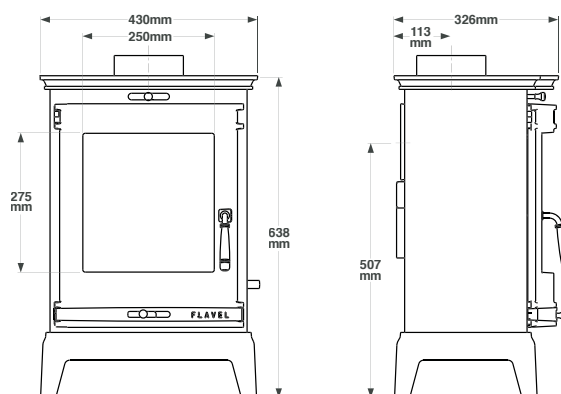
Features

- Strong steel body with cast iron door, top and feet
- Large viewing window
- Simple primary and secondary air controls
- Externally controllable riddle system
- Radiant heat output
- CE Approval to standard BS EN 13240
- Suitable for use in Smoke Control Areas, as recommended by DEFRA
- Alternative black door trim available
- Takes log lengths up to 250mm/10"
- 125mm [5"] top or rear flue connection
- Weight: 75kg

Specifications

Energy Class	A
Useful Energy Efficiency	78.5%
Fuel Type	Multifuel
Direct Heat Output	4.9kW
Model Number	Silver door trim FCSSB5
.....	Black door trim FCSSB5B

Dimensions



Flavel Rochester 5 with black door trim





Flavel Rochester 7 Multifuel Stove

The Flavel Rochester 7 Multifuel Stove is a modern day classic with beautiful curves and stylish polished silver detail. The Rochester 7 is also suitable of use in Smoke Control Areas, as recommended by DEFRA and can operate at a maximum heat output of 7.0kW making it ideal for medium to large rooms.

Features

- Strong steel body with cast iron door, top and feet
- Large viewing window
- Simple primary and secondary air controls
- Externally controllable riddle system
- Radiant heat output
- CE Approval to standard BS EN 13240
- Suitable for use in Smoke Control Areas, as recommended by DEFRA
- Alternative black door trim available
- Takes log lengths up to 250mm/10"
- 125mm (5") top or rear flue connection
- Weight 93kg

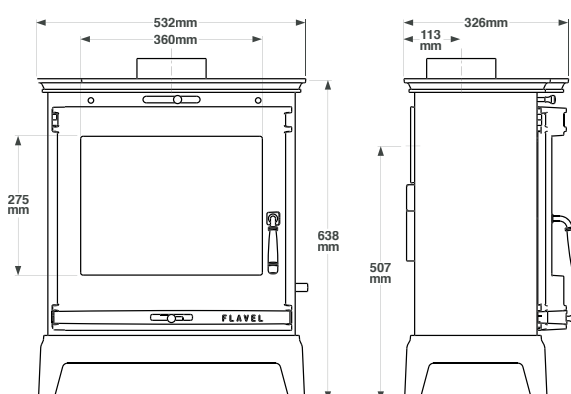
Optional Extras

- Output reducing bricks. To reduce heat output to 5kW

Specifications

Energy Class	A
Useful Energy Efficiency.....	74.1%
Fuel Type.....	Multifuel
Direct Heat Output.....	7.0kW
With reducing bricks.....	5.0kW
Model Number.....	Silver door trim FCSSB
.....	Black door trim FCSSBB
Reducer Brick Kit.....	1170-183610

Dimensions



Flavel Rochester 7 with black door trim





Flavel No. 1 SQ05 Stove

Flavel No. 1 Multifuel Stove

The Flavel No. 1 is a compact, multifuel steel bodied stove, which has an ultra-slim body to allow it to be installed in a wide range of fireplaces. It features a choice of two cast iron door designs; the CV05 has a modern curved design and the SQ05 features clean straight lines. The Flavel No. 1 can achieve a heat output of up to 4.9kW and is suitable for use in Smoke Control Areas when burning wood, as well as authorised smokeless fuels.

Features

- 5mm thick steel bodies
- Cast iron doors and grates
- Large viewing window
- Simple operating controls
- Ultra-slim depth
- Clean glass Airwash system
- Large, easy-carry ashpan
- CE Approval to standard BS EN 13240
- Suitable for use in Smoke Control Areas
- Takes log lengths up to 300mm/12"
- 125mm [5"] top or rear flue connection
- Weight 56kg

Optional Extras

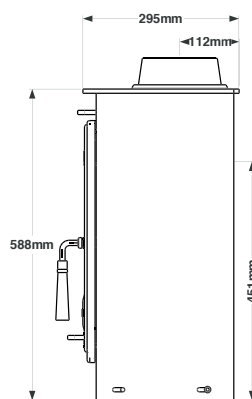
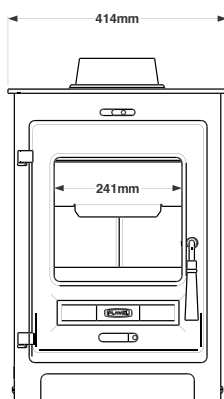
- Direct Vent Kit. To draw the correct amount of ventilation directly to the stove without the need for a draughty and unsightly airbrick

Specifications

Energy Class	A
Useful Energy Efficiency	78.8%
Fuel Type	Multifuel
Direct Heat Output	4.9kW
Model Number	CV05 FN1MFB
.....	SQ05 FN1MFBT
Direct Vent Kit	PSAK



Dimensions



Flavel No. 1 CV05 Stove



Flavel No. 2 CV07 Stove

Flavel No. 2 Multifuel Stove

The Flavel No. 2 is a high quality steel bodied stove which features a large viewing window and is exceptionally easy to operate. This multifuel stove is capable of burning for up to 10 hours on a single filling and will provide a heat output of up to 6.9kW. The Flavel No. 2 is suitable for Smoke Control Areas and is available in a choice of two models; the SQ07 and the CV07.

Features

- 5mm thick steel bodies
- Cast iron doors and grates
- Large viewing window
- Simple operating controls
- Ultra-slim depth
- Clean glass Airwash system
- Large, easy-carry ashpan
- Heat output reducer bricks to convert to 5kW
- CE Approval to standard BS EN 13240
- Suitable for use in Smoke Control Areas
- Takes log lengths up to 410mm (16")
- 125mm (5") top or rear flue connection
- Weight 68kg
- Ventilation required 110mm²

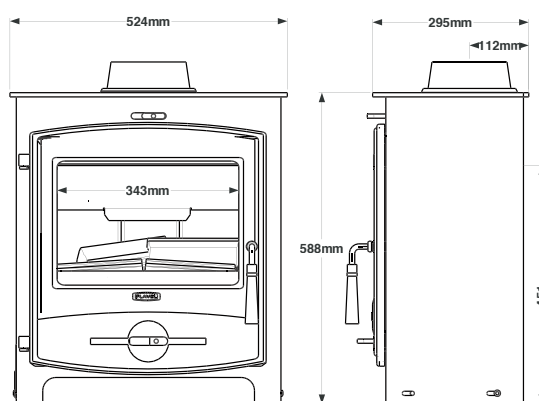
Optional Extras

- Output reducing bricks. To reduce heat output to 5kW
- Direct Vent Kit. To draw the correct amount of ventilation directly to the stove without the need for a draughty and unsightly airbrick

Specifications

Energy Class	A
Useful Energy Efficiency	78.2%
Fuel Type	Multifuel
Direct Heat Output	6.9kW
With reducing bricks.....	5.0kW
Model Number.....	CV07 FN2MFB
.....	SQ07 FN2MFBT
Reducer Brick Kit	1135-172500
Direct Vent Kit.....	PSAK

Dimensions



Flavel No. 2 SQ07 Stove



Flavel No. 1 Gas Stove

The Flavel Gas No1 stove is one of the most realistic gas fuelled stoves on the market. It comes with an extremely realistic log fuel bed and is operated by a fully automatic control system.

At the push of a button you can instantly create a warm and welcoming atmosphere. The Flavel Gas stove is suitable for conventional installation into standard brick chimneys and pre-fabricated flues, and also available as a balanced flue option.

Features

- Large flame viewing window
- Choice of realistic log or coal fuel bed
- 5mm thick steel bodies
- Cast iron doors
- Stylish chrome handle
- High quality black painted finish
- Fully automatic remote control
- Instant heat

Optional Extras

- Coal effect fuel bed (Conventional flue only)
- 830mm flue extension (Balanced flue only)
- Matt black flue collar & 300mm (12") flue pipe (Balanced flue only)

Specifications

Conventional Flue

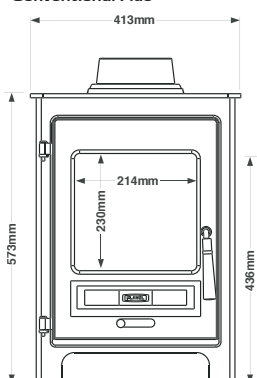
Energy Class	D
Useful Energy Efficiency	81.4%
Fuel Type	Gas
Direct Heat Output	4.2kW
Model Number	FGSLO1RN2

Balanced Flue

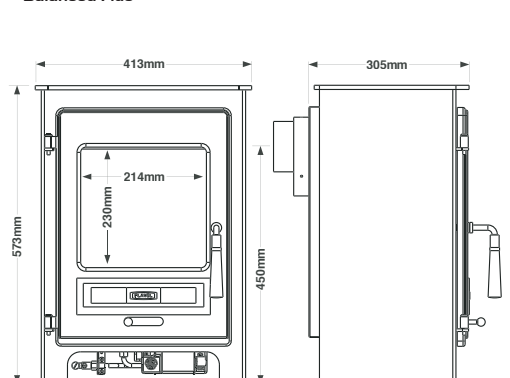
Energy Class	C
Useful Energy Efficiency	84.2%
Fuel Type	Gas
Direct Heat Output	3.4kW
Model Number	FBFLOORN

Dimensions

Conventional Flue



Balanced Flue



Ecodesign
Compliant



www.flavelfires.co.uk

Go direct to the Flavel website on your smart phone or tablet device, just scan in this QR code.

DISCLAIMER Our policy is one of constant development and improvement.

We therefore reserve the right to revise designs and specifications of our products without formal notice, patents pending. We always recommend our products be viewed in an approved showroom before purchase.

Whilst we have taken every care in the preparation of this brochure it is not intended to replace the installation manual which provides more detailed information.

Photography is for illustration purposes only and although every effort has been made to ensure accurate reproduction of typical installations and flame pictures they may vary according to fuel type and installation.

We accept no liability for any loss or damage arising directly or indirectly from the use of this brochure.

We recommend that all our fires are used in conjunction with central heating and not as a primary source of heat. In the interests of personal safety a suitable fireguard is recommended when children, the elderly and the infirm are present. [This brochure is copyright 2018 and must not be reproduced in whole or in any part without prior written permission].

We would like to thank OER Fireplaces (01782 319350) for supplying the fire surround and beams used in this brochure.



At the heart of your home

BFM Europe Limited, Trentham Lakes, Stoke-on-Trent, Staffordshire ST4 4TJ.
Tel: 01782 339000. www.flavelfires.co.uk e-mail: info@bfm-europe.com